

✦ Mounting Screw

✦ Cable Entry

MK-01 Mounting Template

✦ Mounting Screw

✦ Mounting Screw

✦ Cable Entry

MK-01 Mounting Template

✦ Mounting Screw

SPECIFICATIONS

Voltage: 7 to 15 Volts D.C. current limited to 23mA
(supplied by Magic decoder).

Current: 0.25mA in standby.

Dimensions: 4²³/₃₂" x 3" x 2⁷/₃₂" (120mm x 76mm x 17mm).
Weight: 3oz (84gms).

Operating Temperature: 32°F to 158°F (0°C to 70°C).
Keypad & decoder separation: 0.6 miles (1Km

100Ω max. return
resistance, unshielded).

CONNECTIONS

Black – Ground (GND), White – Data (DTA),
Blue – Green LED drive (+12 to 24 Volts D.C.),
Red – Red LED drive (+12 to 24 Volts D.C.).

WARRANTY

The manufacturer will replace or repair this product if proven to be faulty (excluding accidental or malicious damage) under the 36 month warranty offered from the date of purchase.

As CROW ELECTRONIC ENGINEERING INC. or it's agents do not perform the final installation, inspection or training in the use of this product, they cannot be held liable for injury, loss, or damage directly or consequentially arising from the use or misuse of this product.

The software design of the CROW "MAGIC" is protected internationally. Design improvement and specification changes are subject to change without notice. All designs are copyright protected.

SPECIFICATIONS

Voltage: 7 to 15 Volts D.C. current limited to 23mA
(supplied by Magic decoder).

Current: 0.25mA in standby.

Dimensions: 4²³/₃₂" x 3" x 2⁷/₃₂" (120mm x 76mm x 17mm).
Weight: 3oz (84gms).

Operating Temperature: 32°F to 158°F (0°C to 70°C).
Keypad & decoder separation: 0.6 miles (1Km

100Ω max. return
resistance, unshielded).

CONNECTIONS

Black – Ground (GND), White – Data (DTA),
Blue – Green LED drive (+12 to 24 Volts D.C.),
Red – Red LED drive (+12 to 24 Volts D.C.).

WARRANTY

The manufacturer will replace or repair this product if proven to be faulty (excluding accidental or malicious damage) under the 36 month warranty offered from the date of purchase.

As CROW ELECTRONIC ENGINEERING INC. or it's agents do not perform the final installation, inspection or training in the use of this product, they cannot be held liable for injury, loss, or damage directly or consequentially arising from the use or misuse of this product.

The software design of the CROW "MAGIC" is protected internationally. Design improvement and specification changes are subject to change without notice. All designs are copyright protected.



MK-01

Standard Magic Keypad

Features

- Compatible with all Magic decoder models.
- Sealed "Tactile" buttons.
- Audible (buzzer) and visual (LED) feedback of key presses.
- Split system for maximum security, (Keypad & Decoder).
- $\frac{2}{3}$ " (17mm) thin surface mounting.
- Hidden screw mounting.
- Water resistant (with use of optional gasket).
- 36 month manufacturer's warranty.



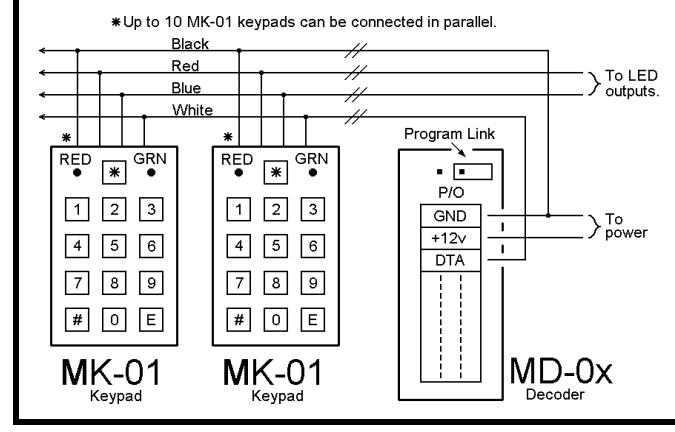
MK-01

Standard Magic Keypad

Features

- Compatible with all Magic decoder models.
- Sealed "Tactile" buttons.
- Audible (buzzer) and visual (LED) feedback of key presses.
- Split system for maximum security, (Keypad & Decoder).
- $\frac{2}{3}$ " (17mm) thin surface mounting.
- Hidden screw mounting.
- Water resistant (with use of optional gasket).
- 36 month manufacturer's warranty.

MK-01 Keypad Connections



MK-01 Keypad Connections

