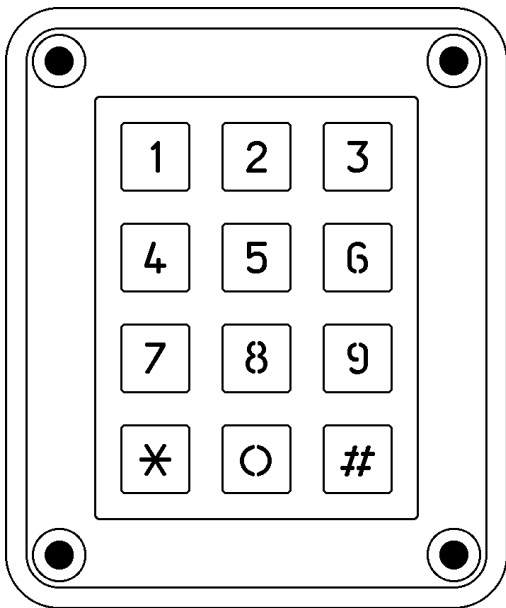


CROW "MAGIC"

MK-02

Vandal and Weather Resistant Keypad.



FEATURES

- Suitable for indoor/outdoor usage.
- Durable and attractive metal keypad construction (chromed Zamak).
- Vandal Resistant.
- Highly Weather Resistant.
- 12 or 24 Volt D.C. Backlighting (MK-02I model only).
- Compatible with all Crow Magic decoders.
- Easily surface mounted.
- Two wire operation (third required for backlighting).
- Operating temperature range of 0°C to 70°C.
- 36 month (3 year) manufacturers warranty.

SPECIFICATIONS

Dimensions: 114mm Height x 95mm Width x 45mm Depth.

Current: 0.25mA standby.
7mA operation.

Backlighting:

Voltage: 12V D.C. or 24V D.C.
Current: 35mA.

OPERATION

The MK-02 can be used to perform all the functions of a standard Magic MK-01 keypad. The only difference in operation is the use of the **#** key instead of the **E** key.

The **#** key is a dual purpose key. When it is pressed as the first key in a code sequence it generates a #, when pressed as a subsequent key it then becomes the **E** key.

Should it be necessary to generate a # in the middle of a code sequence then you must press and hold the ***** key down, press the **#** key then release both keys.

Examples

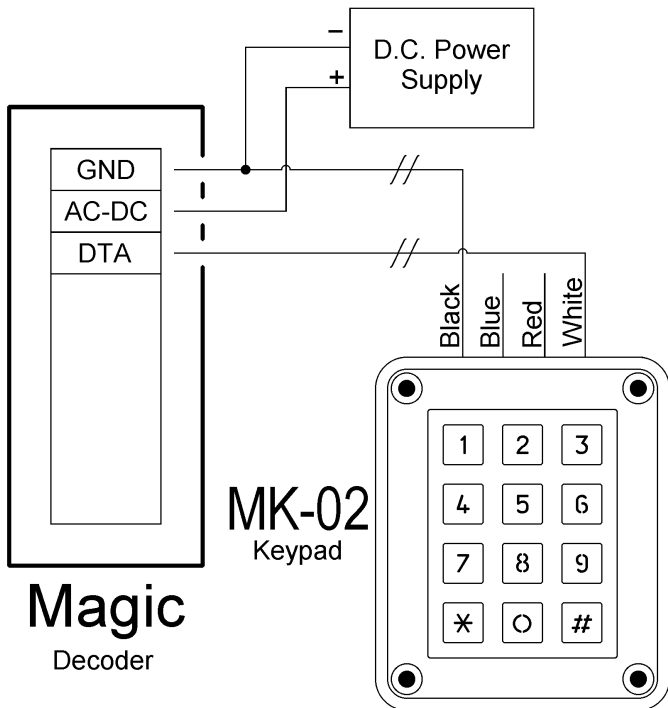
Code sequences using a MK-01

1. * 1 1 2 3 4 E
2. 1 2 3 4 E
3. # 1 1 2 3 4 E
4. # 1 E

Equivalent code sequences using the MK-02

1. * 1 1 2 3 4 #
2. 1 2 3 4 #
3. # 1 1 2 3 4 #
4. # 1 #

MK-02 WIRING DIAGRAM



CONNECTIONS

Black wire = GND (Negative).

White wire = DTA (Data).

Blue wire = +24V D.C. for backlighting (MK-02I only).

Red wire = +12V D.C. for backlighting (MK-02I only).

Note: Use either the Blue or Red wire for backlighting purposes **not both**.